

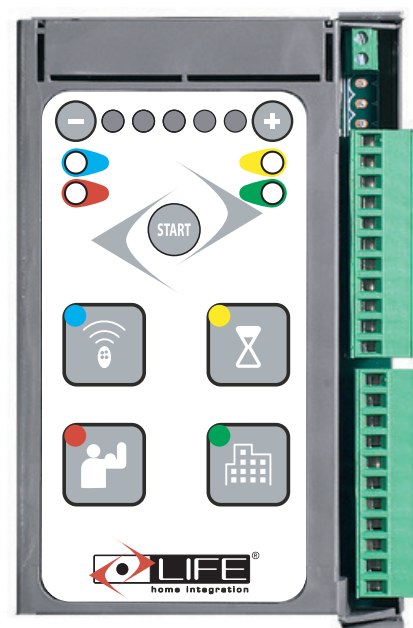
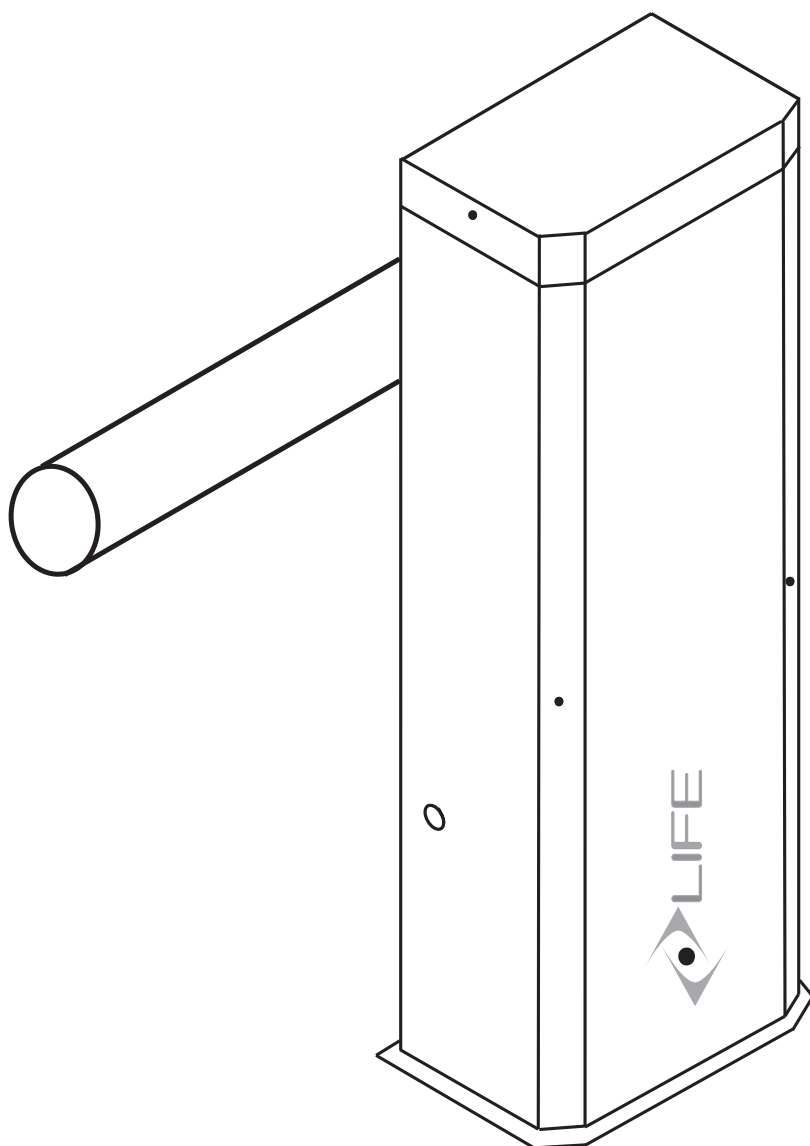
SUPRA MB 6Mt 24Vdc

RG1RE 24DL

GB

ROAD BARRIER 24VDC

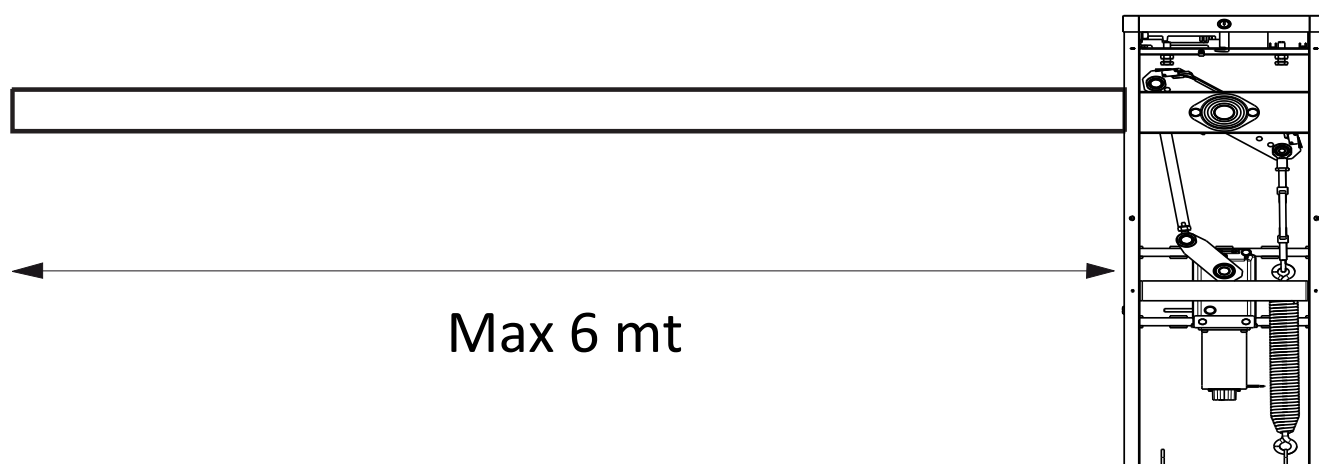
INSTRUCTION AND ADVERTISING FOR USE AND MAINTENANCE



TECHNICAL DATA

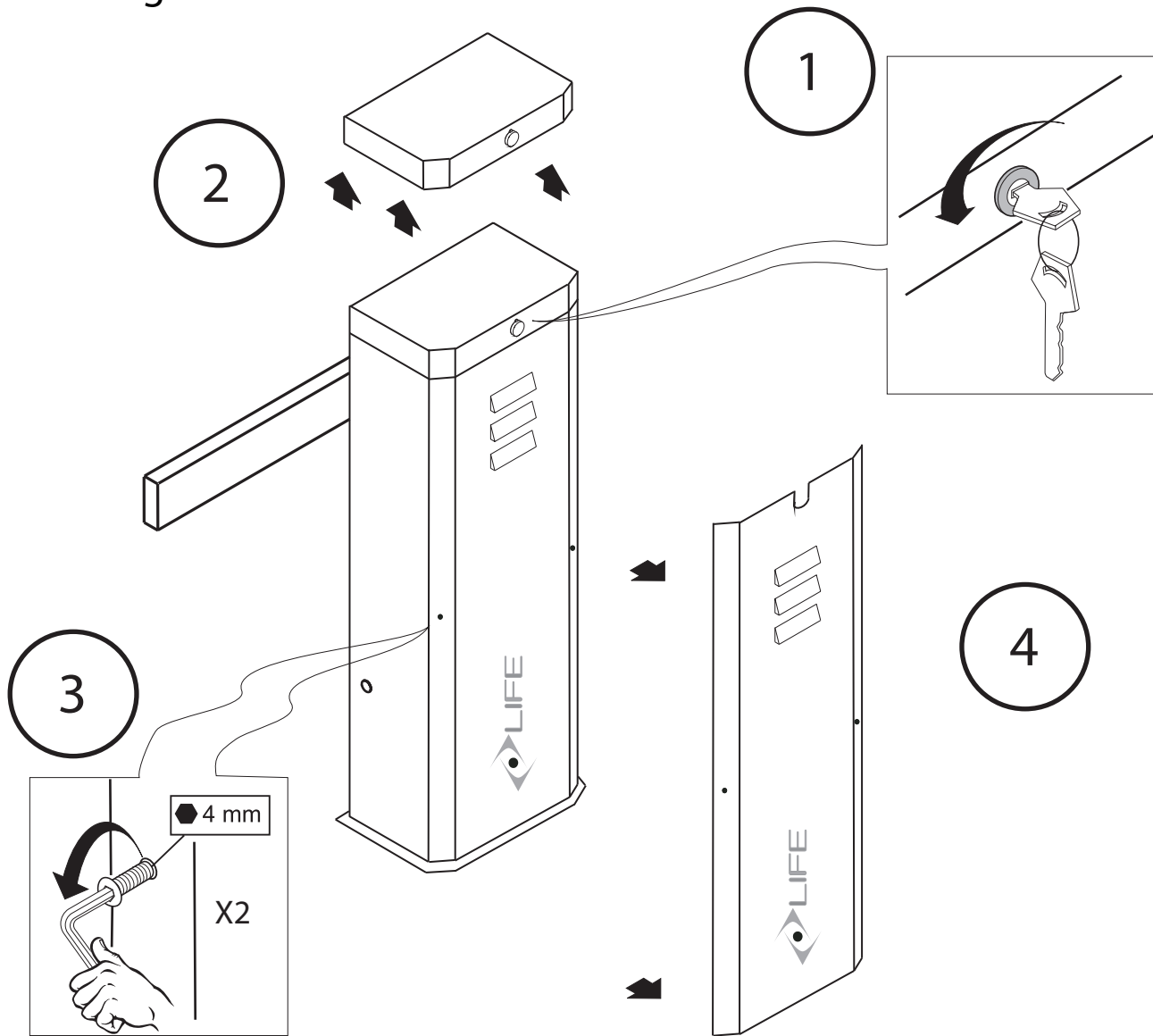
SUPRA MB 6Mt 24 Vdc

Road barrier with electromechanical gear motor and control unit.		
Power supply	V	230 Vac 50 Hz
Power motor	V	24 Vdc
Maximum power consumption	W	150
Maximum current consumption	A	1.2
Thrust	Nm	150
Lubrication	Tipo	Grasso
Limit switch electromechanical		Si
Encoder		Si
Speed	Rpm	3,5
Opening time	Sec	5 - 15
Maximum Full Cycle time		250 (25°C)
Work cycle	%	80% (25°C)
Nominal maximum work time	Min	45' (25°C)
Operating temperature	°C	-20 +70
Protection class	IP	44
Motor insulation class		F
Dimensions - Weight		35x25 H115 55 Kg
Control unit		RG1RE 24DL

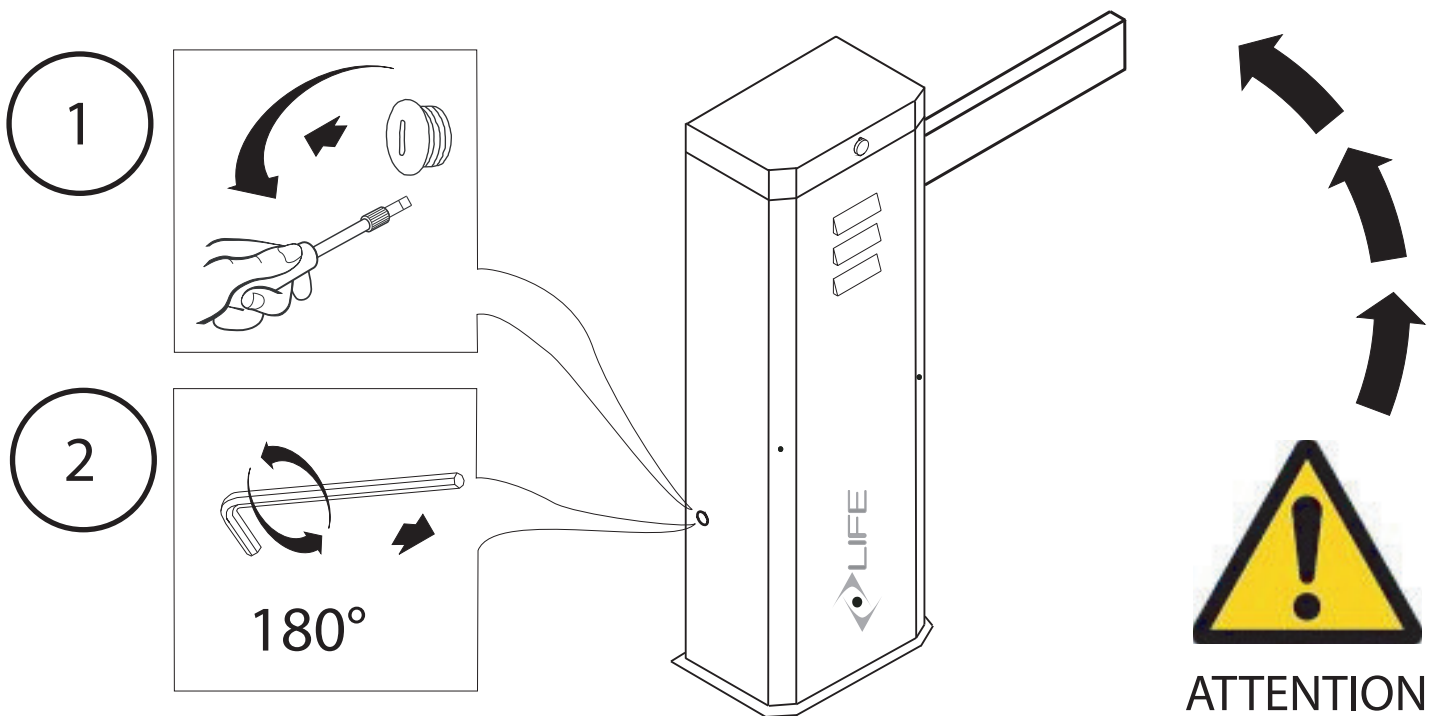


LIFE home integration reserves the right to make changes to technical characteristics at any time and without prior notice, without changing its intended use and function.

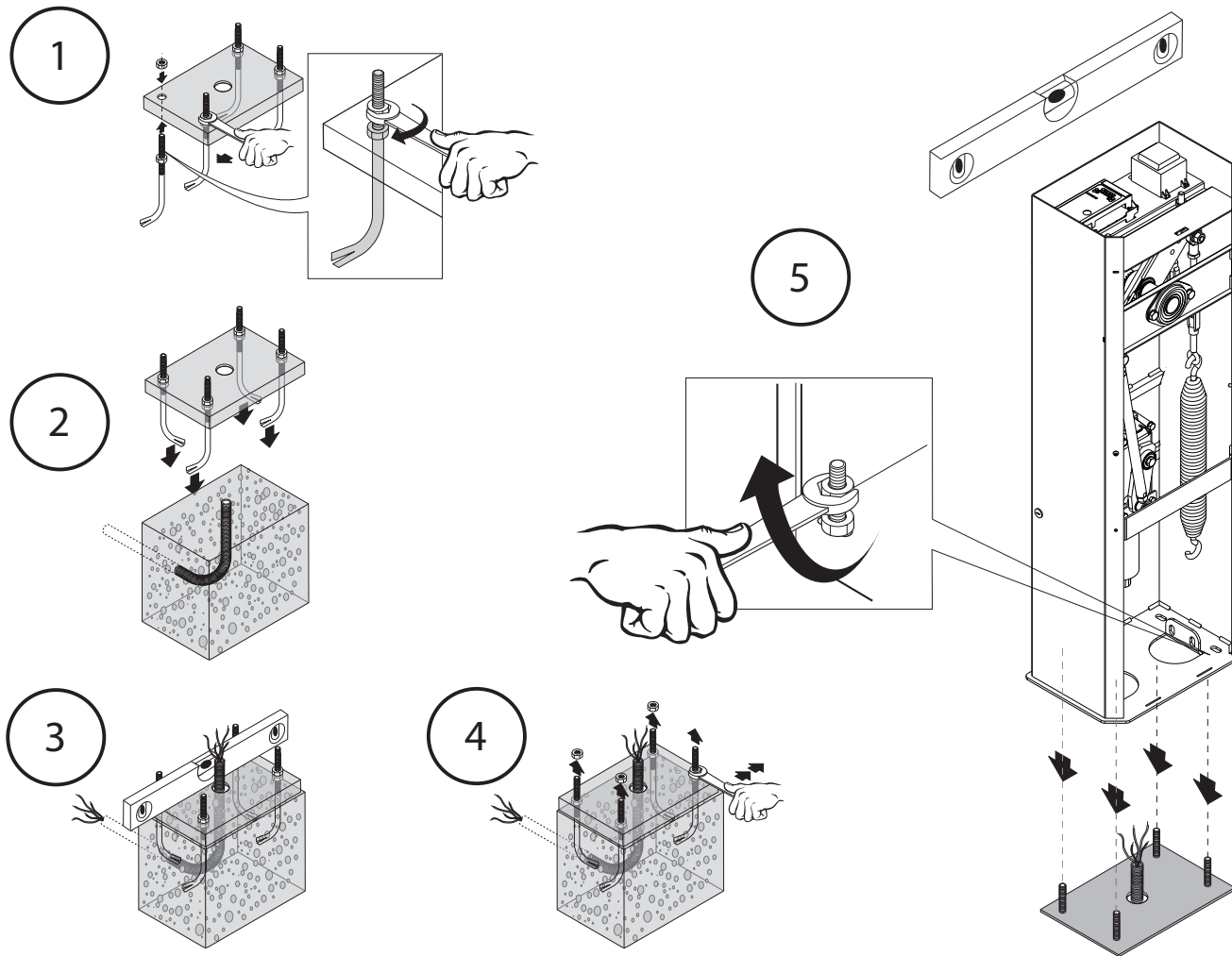
1- Dismantling of the barrier



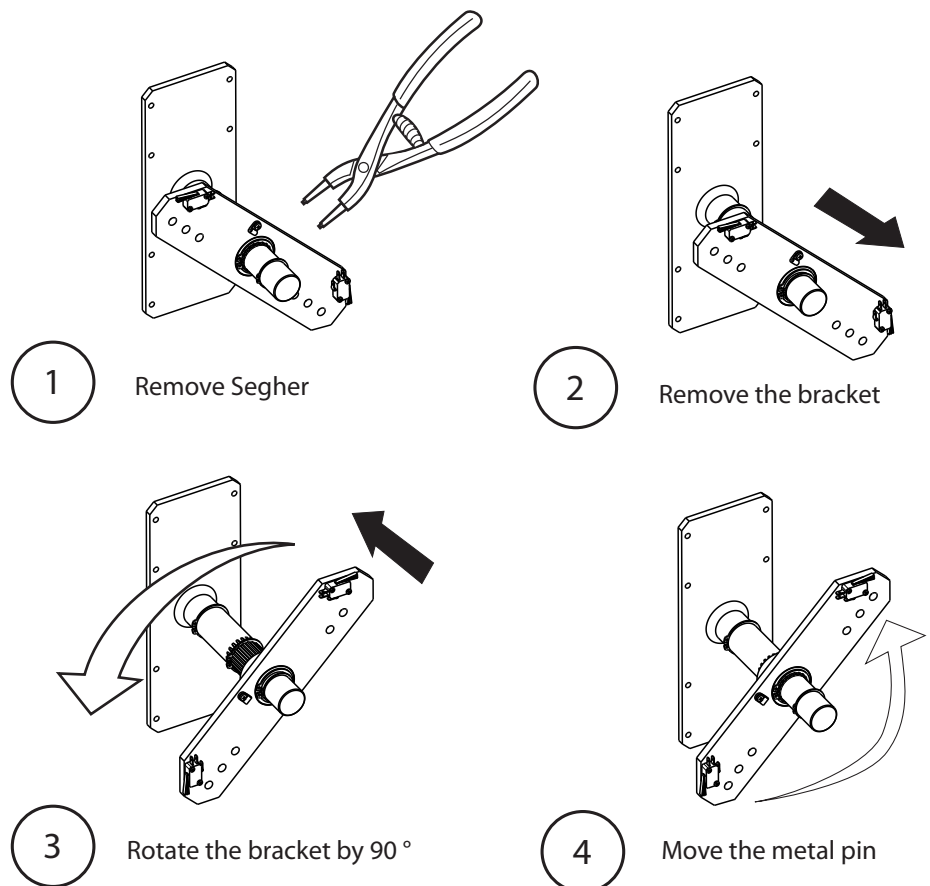
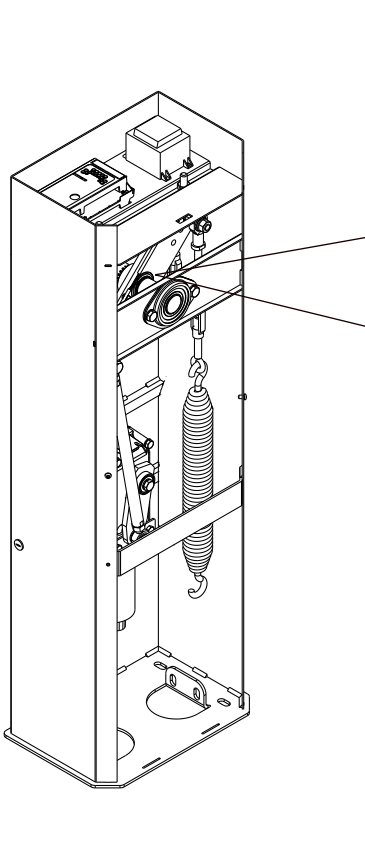
2- Manual release



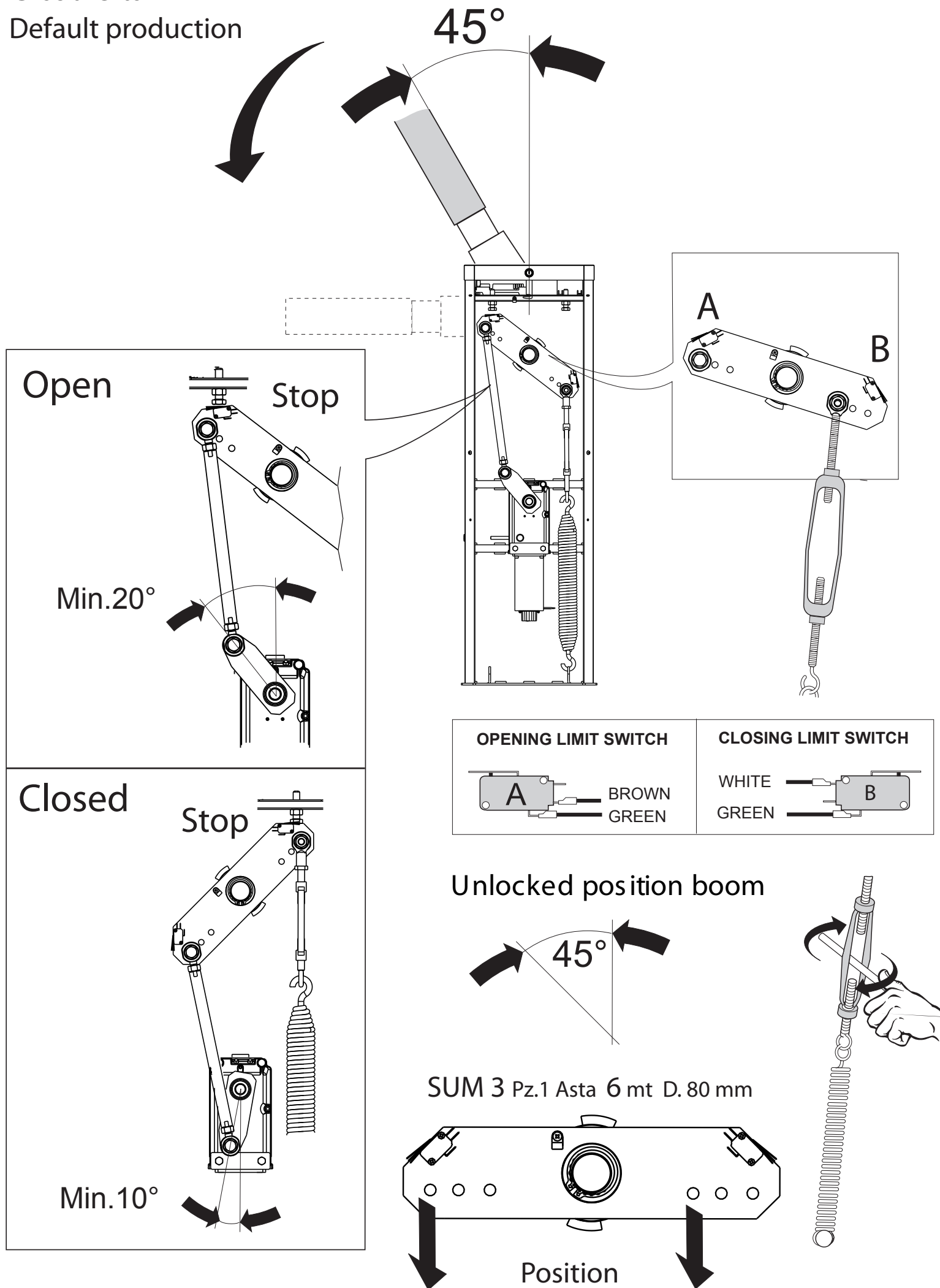
3 - Fixing on the ground with base sole (SUE 2)



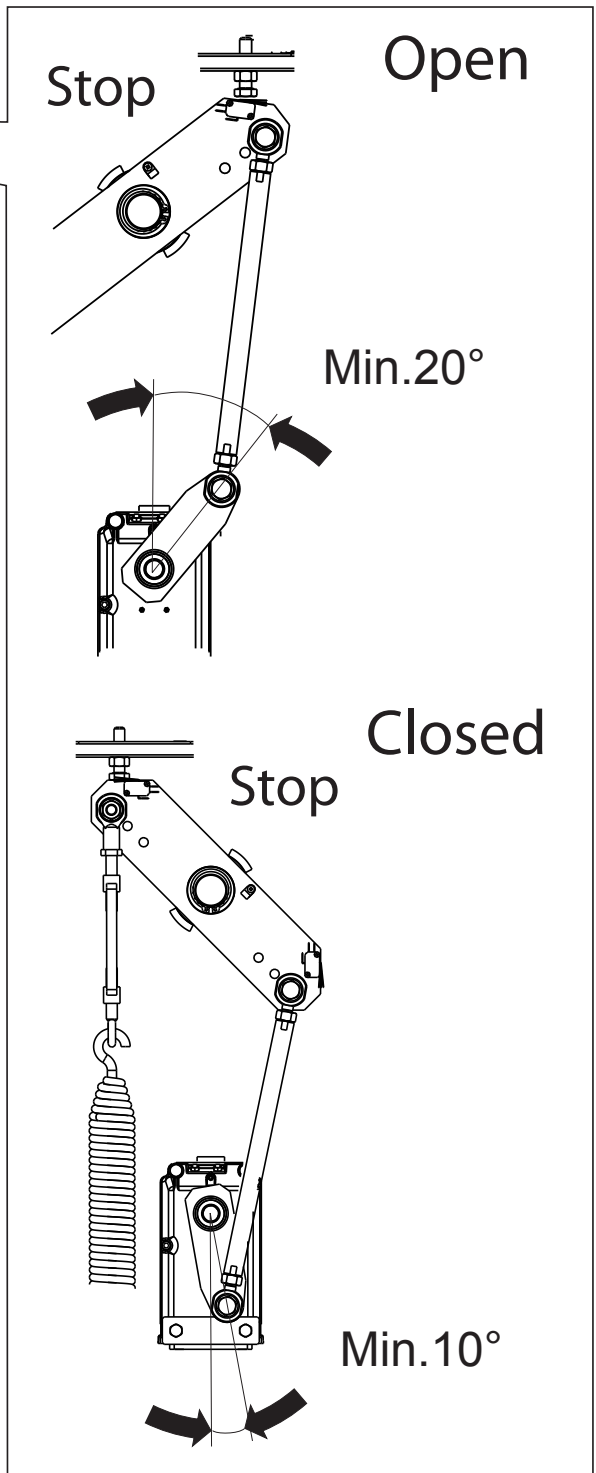
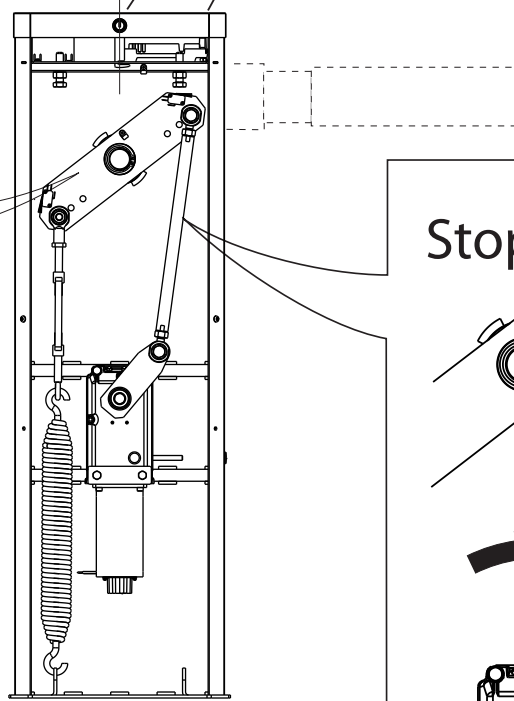
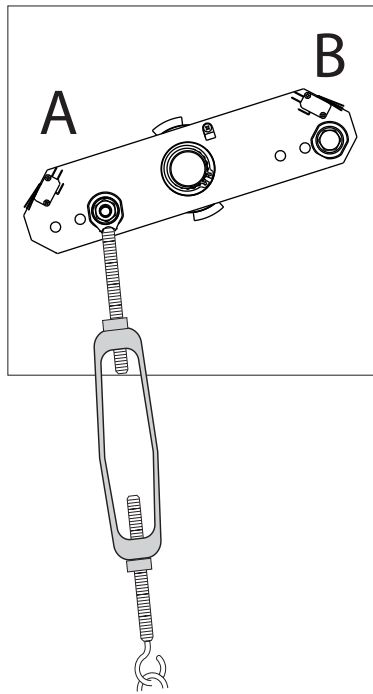
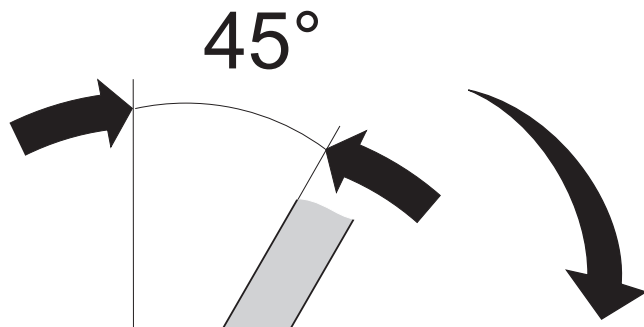
3 - Edit by closing Dx



5 - Closure to LEFT
Default production

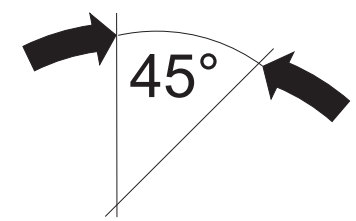
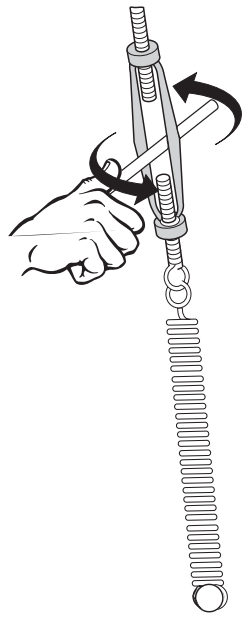


6 - Closure to RIGHT
 Reversal pag. 4 cap. 4

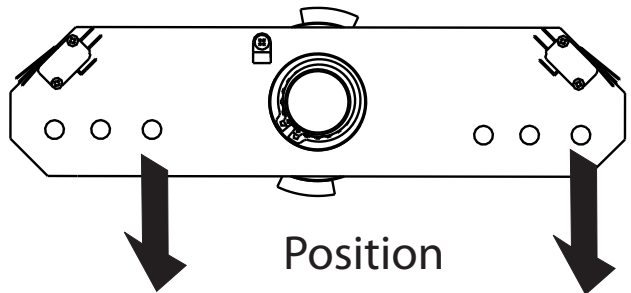


CLOSING LIMIT SWITCH	OPENING LIMIT SWITCH
 A	 B
BROWN GREEN	WHITE GREEN

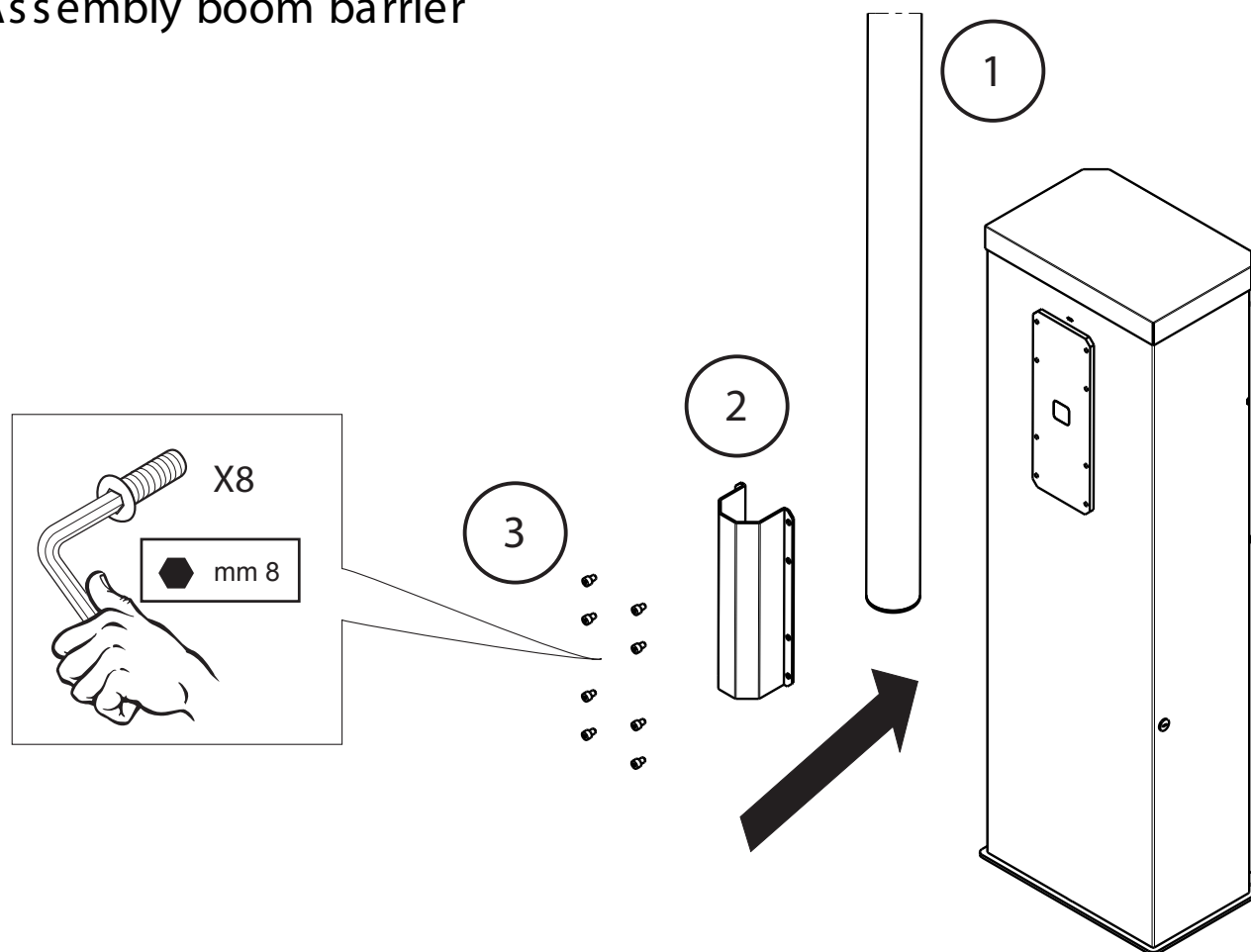
Unlocked position boom



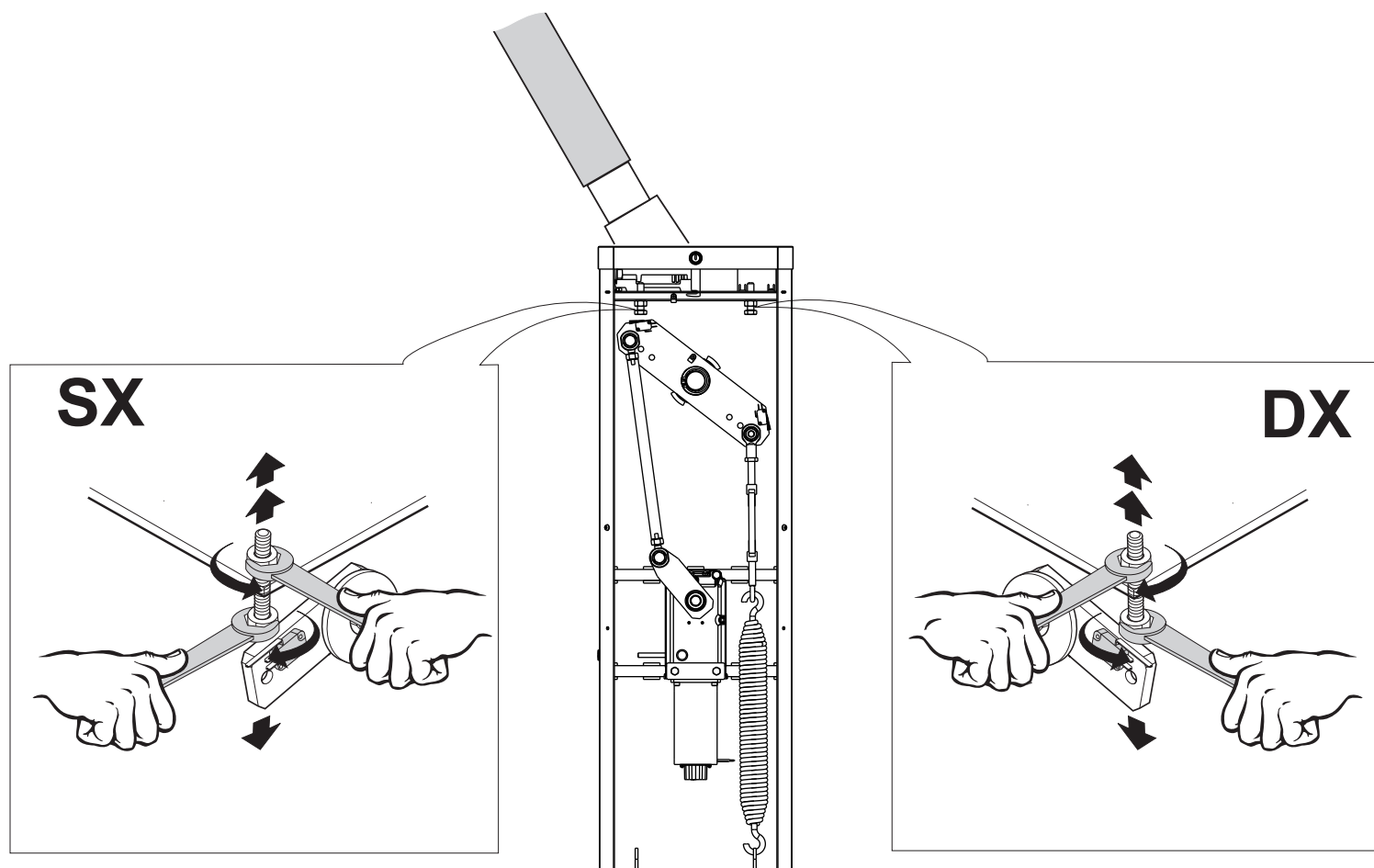
SUM 3 Pz.1 Asta 6 mt D. 80 mm



7 - Assembly boom barrier



8 - Mechanical stops adjustment

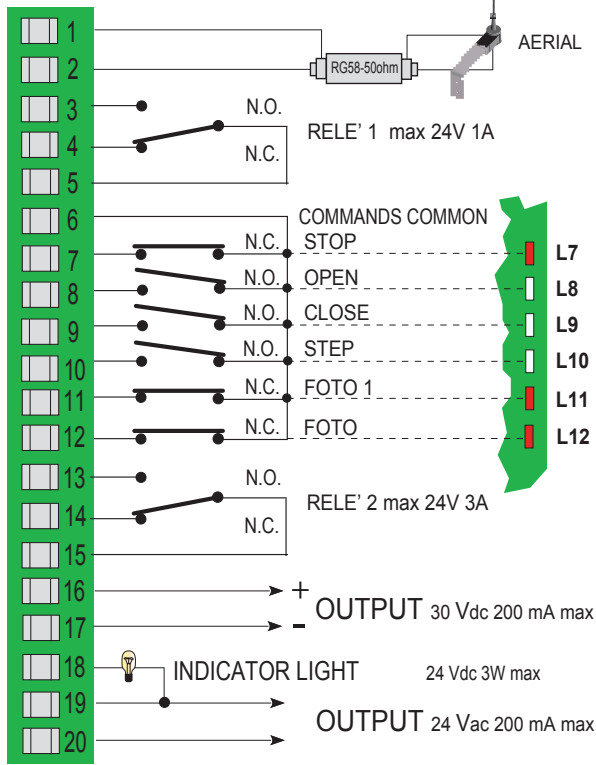
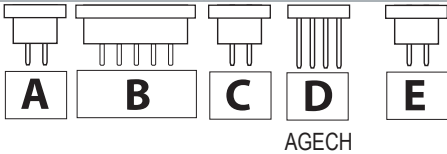
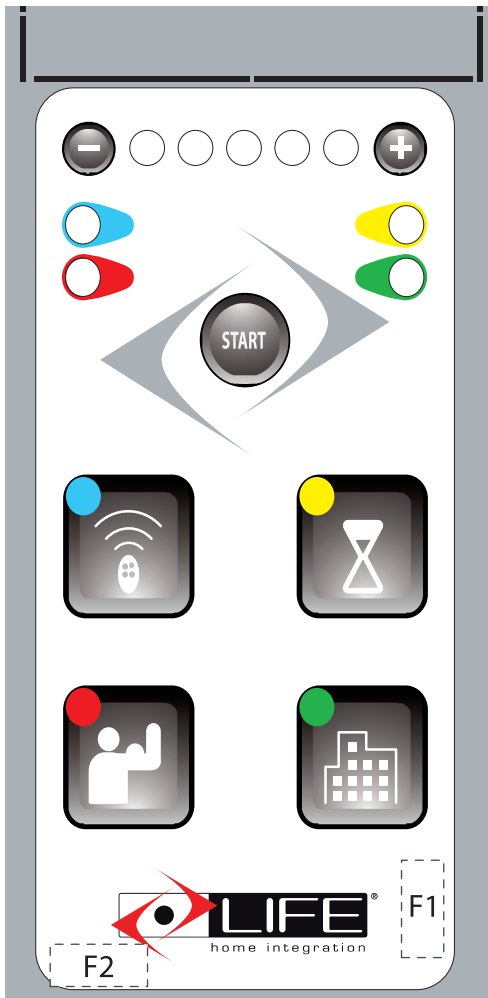


1 CONNECTIONS

- * Before commencing wiring and connection work, read the **SAFETY INSTRUCTIONS AND WARNINGS** and **INSTALLATION INSTRUCTIONS AND WARNINGS**.
- * All wiring and connection operations must be carried out with the control unit disconnected from the electricity supply (and from the buffer battery if present); if the disconnection device is not in view, display a sign reading "ATTENTION: MAINTENANCE WORK IN PROGRESS".

1	ANTENNA : Input antenna ground.
2	ANTENNA : Input antenna cable.
3 - 5	RELAY 1 : N.O. Contact second channel radio, 1A max 24V max. Mode 1: Impulsive. Mode 2: Step by Step. OPTION 2 third LEDs.
4 - 5	RELAY 1 : N.C. Contact second channel radio, 1A max 24V max. Mode 1: Impulsive. Mode 2: Step by Step. OPTION 2 third LEDs.
6	COMMON : Common of commands and of photocells Open Close Stop Step Photo1 Photo inputs.
6 - 7	STOP : N.C. Input controls the stop automation. For example can be connected safety devices such as a button for emergency stop. The automatic closing is not allow when You release the command. Leave the jumper if there is no device.
6 - 8	OPEN : N.O. Input controls the opening of the barrier.
6 - 9	CLOSE : N.O. Input controls the closing of the barrier.
6 - 10	STEP BY STEP : N.O. Input Controls the movement of the barrier in the following ways: Mode 1: Open-Pause-Close-Pause. Mode 2: Open-Stop-Close-Stop. Mode 3: Open (only open).
6-11	PHOTO 1 : N.C. Input for photocells or safety devices. Determines the stop of the barrier in opening and closing. The motion is recalled at the start when the photocell is disengaged or the safety device. Leave the jumper if there is no device.
6 - 12	PHOTO : N.C. Input for photocells or safety device. In the opening phase does not intervene, in closing inverts the movement until fully open. Leave the jumper if there is no device.
13 - 15	RELAY 2 : N.O. Contact for connecting accessories 3A 30V max. Mode 1: Connect as flashing bright disk. Mode 2: Connecting the traffic light. OPTION 2 four Led.
14 - 15	RELAY 2 : N.C. Contact for connecting accessories 3A 30V max. Mode 1: Connect as flashing bright disk. Mode 2: Connecting the traffic light. OPTION 2 four Led.
16	+ 30 Vdc : DC output for powering accessories, 200 mA max.
17	- 30 Vdc : DC output for powering accessories, 200 mA max.
18 - 19	INDICATOR LIGHT : 24Vac 3W max, for the connection of an indicator light, blinking slowly on opening, flashing closing in fast and steady light when the barrier is not closed.
19 - 20	24 Vac : Power supply output for accessories, 200 mA max.
22 - 23	FLASHING : 230Vac output 40W max, three ways of flashing: Mode 1: Flashing slowly opening. Mode 2: Flashing fast closing. Mode 3: Three flashes and a pause to indicate unit ready for programming.
L1 - L2	POWER SUPPLY : Power Line 230Vac.

RG1RE 24DL



F1 = T3.15A
F2 = T 6.3A

1 SKANT - SKANX

2 DES - DESE

3

4 INDICATOR LIGHT

5

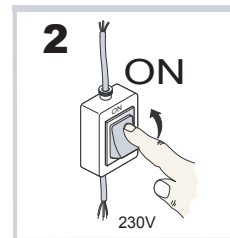
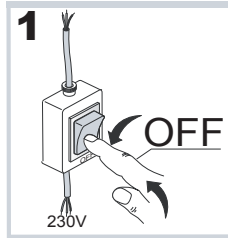
- E** 230 Vac primary transformer Brown Blue
- D** Battery charger connector AGECH
- C** Motor output + Red
- Black
- B** Limit Switch Common Green
NO Brown
NC White
Encoder + Red
- Black
- A** 24 Vac secondary transformer Orange Orange



ATTENTION

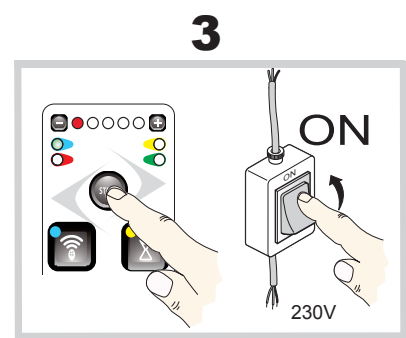
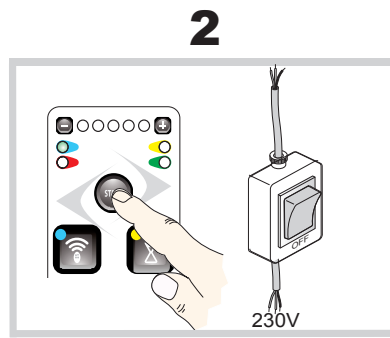
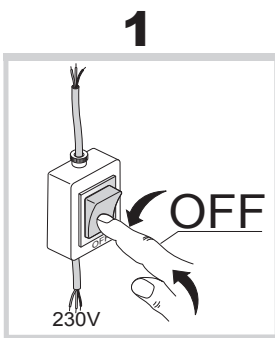
Energy Saving

In order to save energy, we have introduced the function Energy Saving. 10 minutes after the end of programming of the control board, the LED of the keyboard go out and it is no more possible to use the control board. To get the control board working again, switch it off and on.

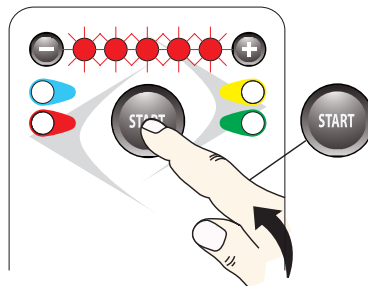
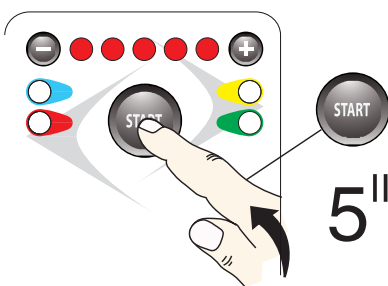


2 PROGRAMMING THE CONTROL UNIT

2.1 PHASE 1 TOTAL RESET

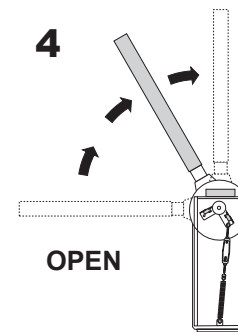
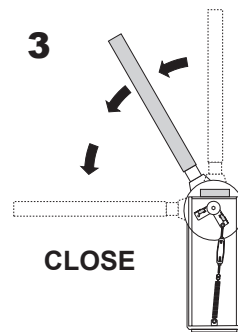
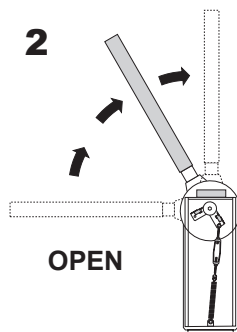
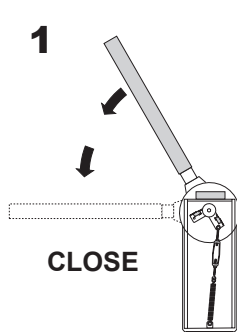


2.2 PHASE 2 PROGRAMMING THE TRAVEL



- a) Press **START** for 5 seconds, the 5 LEDs will light and after start flashing.
- b) Press **START** and the barrier starts rolling, if it opens press again the start button to invert the movement. The first limit switch on must be the closing one.

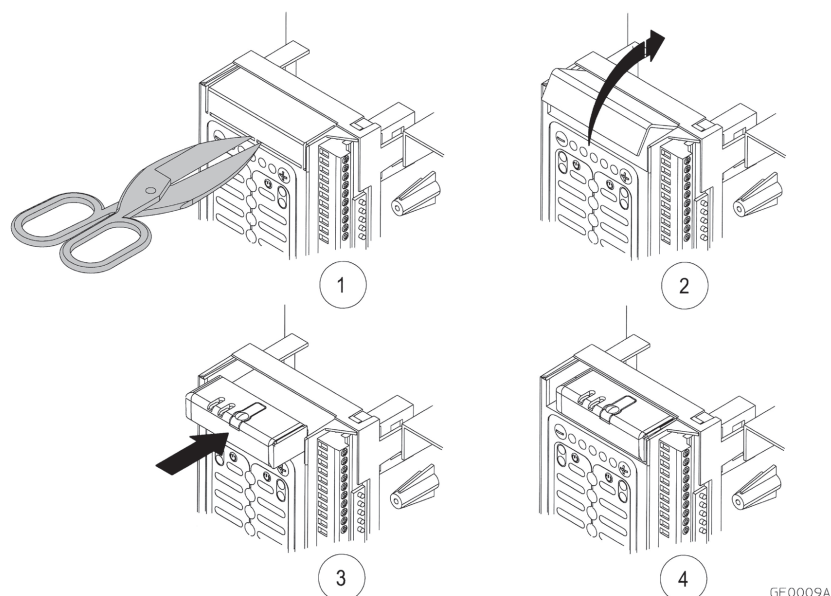
The automation will perform, in sequence, a closure (1), an opening (2), a closure (3), an opening (4)



Once programming is complete, the two green LEDs will Flash and the red one will be fix. Should the result obtained not be satisfactory, repeat the whole process.

3 PROGRAMMING RADIO TRANSMITTERS

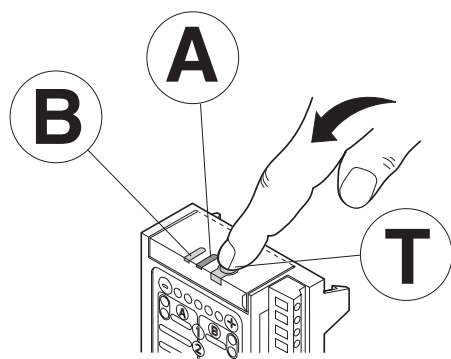
3.1 INSERTING THE RADIO RECEIVER FAST R2



3.2 DELETE AND LEARNING REMOTE CONTROLS.

LEARNING THE REMOTE CONTROL FOR OPENING.

- 1) Press the button **T** in receiver and verify that the **B** LED is on steady.
- 2) Press the button on the remote control you want to learn and keep it pressed until the LED **B** turns off and on again for a brief moment.
- 3) To exit, press the **T** button twice or wait 15 "LEDs must be turned off.

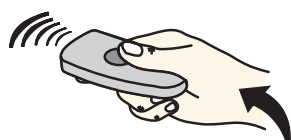


LEARNING THE SECOND RADIO CHANNEL RELAY1

- 1) Press the button **T** receiver and verify the LED is flashing, **A**.
- 2) Press the button on the remote control (one or more radio) you want to learn and keep it pressed until the LED **A** turns off and on again for a brief moment.
- 3) To exit, press the **T** key three times or wait 15 "LEDs must be turned off.

DELETE OF A RADIO LEARNED

- 1) Press the button three times **T** of the receiver and check that the LEDs **A** and **B** are turned on.
- 2) Press the button of the remote you want to delete.



DELETE OF ALL THE RADIO LEARNED

- 1) Press and hold the button when you turn on the two LEDs **A** and **B** release the button briefly and press again to confirm
The two LEDs flash alternately **A** and **B** to confirm.

4 ADJUSTMENT AND OPTIONS

4.1 Automatic closing

Automatic closing is activated after a preset PAUSE TIME.

In this mode by pressing the start button or radio transmitter the automation changes its motion as follows OPEN-PAUSE- CLOSE – PAUSE

Press (top right) and the right green led switches will be on. If no leds are on the automatic closing is not enable

Press the button to increase or the button to decrease the pause time.

Press in sequence to activate the desired time and switch from scale 1 to scale 2 with 1 LED on scale 1 with 2 LEDs on scale 2.

LED	PAUSE TIME
	AUTOMATIC RE-CLOSURE IS NOT ENABLED
	1 s
	5 s
	10 s
	15 s
	20 s
	30 s
	45 s
	65 s
	100 s
	130 s

Wait 10 Seconds or press the time but-ton to quit

4.2 Menù OPTION 1

Press the option button (bottom right) once, then press in sequence to scroll through the options as shown by the led's at the top. The flashing of the led indicates the option selected. The + button is used to select the function indicated by the led staying lit without flashing. The - button will de select the option, led off.

LEDS	OPTION 1
	NO FUNCTION IS ACTIVE.
	Condominium: command step only opening
	Operatine Mode: Open-Stop-Close-Stop.
	Pre-flash
	Flashing Paused.
	CLOSING PASSING BY: passing by the photocells (PHOTO), the automation closes after 2".

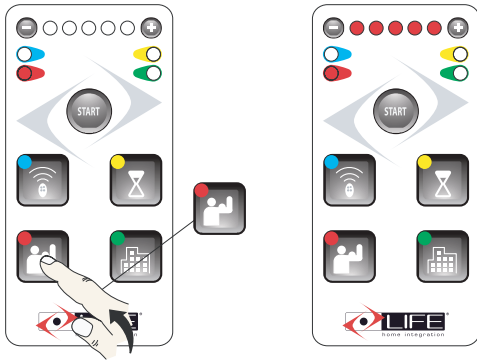
4.3 Menù OPTION 2


Press 5 seconds, then press in sequence to scroll through the options as shown by the five led's at the top. The flashing of the led indicates the option selected. The + button is used to select the function indicated by the led staying lit. The - button will de select the option. To exit continue to scroll through to option 5.



LEDS	OPTION 2
	NO FUNCTION IS ACTIVE.
	Increased slow down position in OPENING
	Increased slow down position in CLOSING
	Change function RELAY 1 in STEP BY STEP
	Change function RELAY 2 in TRAFFIC LIGHT








5 SPEED

This parameter adjusts opening and closing speed of the barrier.



Press  the red LED (**SX**) switches on.

Press  and  to set the various speed values.

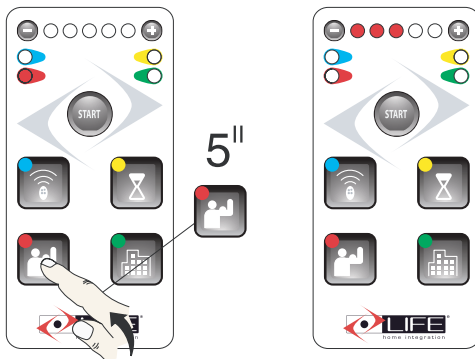
LEDS ON	SPEED
	Minimum
	
	
	
	
	
	MAXIMUM


Wait 10 seconds or press  again to quit.

5.1 Obstacle detection








The automation is fitted with an obstacle detection system: the automation inverts its movement when it strikes an obstacle during the opening and closure phases. Sensitivity regulation consists in greater or lesser rapidity in response to the obstacle.

- 1) During the closing phase, if the control unit identifies an obstacle, the automation inverts motion and performs complete opening. If the obstacle is detected 3 times consecutively, the automation stops in a completely open position awaiting a command.
- 2) During the opening phase, if the control unit identifies an obstacle, the automation performs a short reversal of motion, and after it stops awaiting a command.



Press  for 5 seconds, the red LED (**SX**) will light and then switch off.

Press  and  to set the various obstacle detection values.

LEDS ON	OBSTACLE DETECTION
	MINIMUM
	
	
	
	
	
	MAXIMUM

Wait 10 seconds or press  again to quit.

5.2 Fuses

- A) F1 is placed in primary 230V volts.
Specifications: miniature fuse 5x20 T3, 15A certificate IEC 60127 or EN 60127.
- B) F2 is placed in secondary to 24V volts, to protect the overload of the transformer secondary.
Specifications: miniature fuse 5x20 T6.3 A certificate IEC 60127 or EN 60127.

6 Connection cables

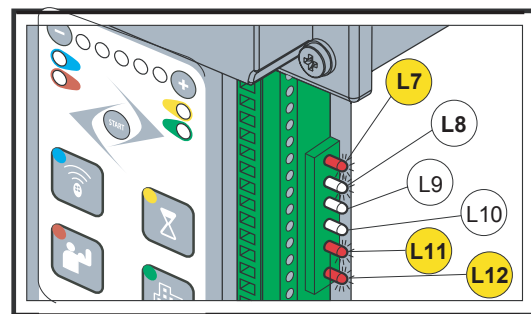
Fitters must make the connections of the 50 Hz 230 Vac electricity supply, and the various automation devices. Connections between the control unit, motor, encoder and transformer have already been performed by the Manufacturer.

- Once the connections to the control unit have been made, the Fitter must use bands to join adjacent wires into groups of 2, 3 or 4 in order to prevent them coming away from the terminal board: bands must be attached as close as possible to the terminals, no more than 10mm away, taking care not to damage wire insulation. No cable may remain unpaired.
- The bands are only for unsheathed cables (sheathed cables are held in place by the sheath).
- Pay careful attention not to pair wires with voltages higher than 50 Volt RMS with lower voltage wires.
- The wiring performed internally by the manufacturer is already equipped with clamping bands.

ATTENTION: the connections pre-wired by the manufacturer may not be altered under any circumstances.

6.1 Indicator LEDs

There is a row of 6 LEDs on the right hand side of the board, under the terminals. These LEDs are lit when the corresponding signal is present. For N.C. inputs **STOP**, **PHOTO1** and **PHOTO**, the corresponding LEDs **L7**, **L11** and **L12** are normally on. For the N.O. inputs **OPEN**, **CLOSE** and **STEP**, the corresponding LEDs **L8**, **L9** and **L10** will be switched off. These LEDs therefore indicate any malfunction of the connected devices.



6.2 List of electric cables

The cables needed may vary depending on the installation and type and quantity of devices installed.

The cables used in the installation must be IEC 60335 compliant.

ATTENTION: the cables used must be suited to the type of installation. It is the Fitter's responsibility to choose appropriate material.

- Use the power supply cable provided with the operator only.
- The power cable provided may not be extended or shortened
- All wires must be unsheathed as little as possible (6mm at the most) as close as possible to the connection terminals, in order to prevent accidental contact with live parts should the cables disconnect from the terminals.
- Do not pre-seal cables to be fastened to the terminals using screws.
- If it is possible that wires subject to voltage higher than 50 Volt RMS and very low voltage safety wires may come into contact with one another, wires with voltage higher than 50 volt RMS must be insulated with a sheath; voltage safety wire must have an insulating sheath at least 1mm thick.
- No external connection cables must be of the flat twin tinsel cord type.

Pos.	Connection	Type of cable
1	Electricity supply line	3x1,5 mm ² cable
2	Power supply	Cable supplied with Schuko socket
3	Flashing light	2x1 mm ² cable
4	Radio aerial	Screened RG58 50 Ω cable
5	Tx Photo	2x1 mm ² cable
6	Rx Photo	4x1 mm ² cable
7	Selector	3x1 mm ² cable
8	Internal button panel.	3x1 mm ² cable
9	Sensitive strip (signal)	2x1 mm ² cable

6.3 Setting up the electric system and connection to the mains supply

This manual does not describe how the electrics system should be prepared for connection to the mains. It does, however, give the following warnings:

- The electricity supply line must be installed and connected by an authorised electrician or professional fitter.
- The electricity supply must be adequately protected against short circuits and static discharge.
- The power supply network must contain an omnipolar circuit breaker with a contact opening distance equal to or greater than 3.5 mm that assures the complete disconnection of the power supply.

7 TROUBLESHOOTING

This chapter describes the most frequently encountered problems with the solutions for resolving them. In certain cases, it is explicitly envisaged that operations be performed by a professional fitter: these indications must be followed in order to avoid exposure to serious risks.

7.1 Malfunctions indicated on the control unit

SIGNAL	MALFUNCTION	ACTION	POSSIBLE SOLUTION
	Obstacle	The check intervenes inverting motion, i.e. performing an opening, and when it reaches the end of the stroke, it awaits a new signal (even in condominium mode); however, if the system is opening, it intervenes inverting the motion for a short stretch (3/4 cm) and then stopping until such time as new commands are given.	N.B. Obstacle detection sensitivity regulation is described in the ADJUSTMENTS CHAP.
	This class includes various incorrect and unsafe operation situations	The control intervenes by passing the system to the operation condition with dead man command and reduced speeds.	N.B. In this situation release the automation and call for technical assistance.

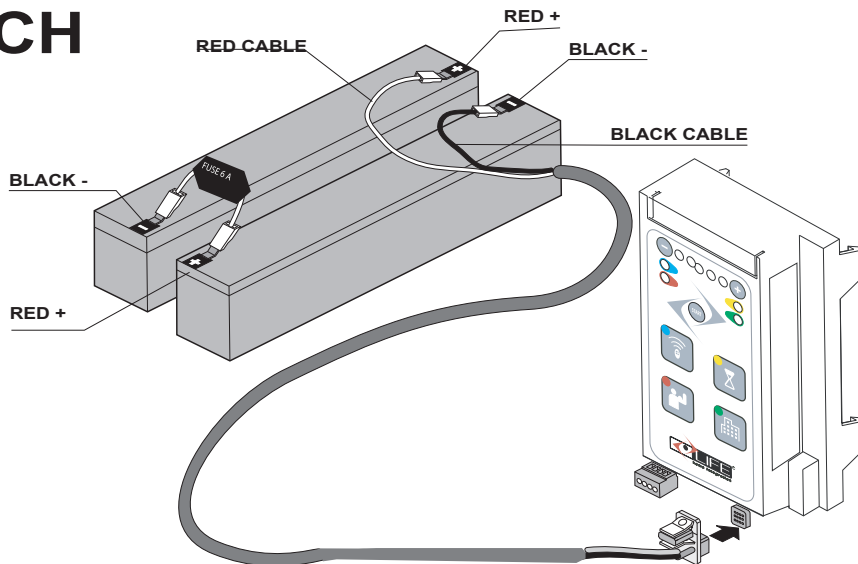
N.B. if the problems persist it is absolutely necessary to call the assistance service.

8 BUFFER BATTERIES (OPTIONAL)

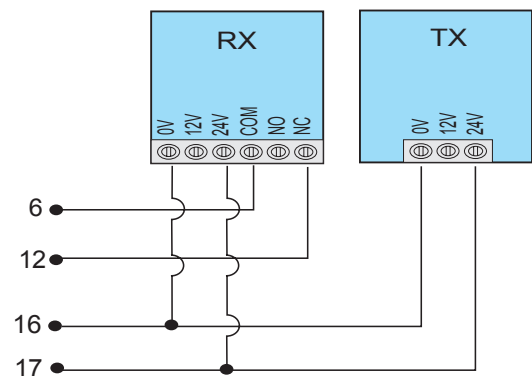
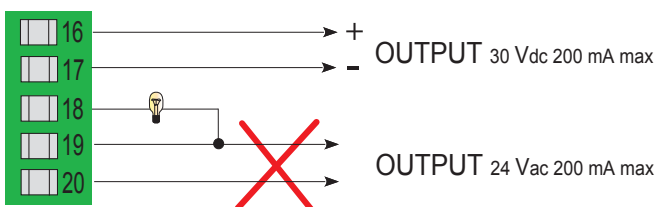
- The **RG1RE 24DL SUPRA** control unit can be fitted with a pair of 2Ah 12V buffer batteries (AGE 12) (optional), which allows emergency operation in the event of a power failure.
- The batteries must be installed and replaced at the end of their service life by a PROFESSIONAL INSTALLER and not by the end user, as there are live parts close by.
- The control unit is designed to house an AGECH battery charger, which automatically charges the connected pair of batteries.

Battery function is indicated on the control unit by the alternate flashing of the green LEDs:

AGECH



CAUTION:
To work with photocells **CONNECT IN DC POWER**



9 TESTING AND TRIAL RUN

- The testing and trial run must be performed by a **COMPETENT PERSON** supervised and aided by a **PROFESSIONAL FITTER**. It is the responsibility of the person who tests and sets up the automation (of which the control unit is a part) to perform the checks required in accordance with the risks existing and to check conformity with the relevant legislation and standards, in particular with EN standard 12445, which governs the methods for performing trials on gate automations and EN standard 12453 that specifies the performance requisites concerning safety of use.
- The testing and trial run are the most essential phases of installation for guaranteeing maximum operating safety.
- The checks and procedures for testing may also be used for routine checks on the automation and its devices.
- The automation may only be tested if a non-hazardous force tolerance has been set. Force tolerance must be adjusted to a minimum value so as to exclude the danger of injury during closure.
- Adjust the maximum force in line with EN standard 12445.
- Never touch the gate or moving parts when they are in motion.
- Remain at a safe distance when the gate is in motion: only pass when the gate is completely open and immobile.
- In the event of malfunctions (noisiness, jerky movements, etc.) suspend the use of the automation immediately: failure to observe this rule may entail serious hazards, risks of accidents and/or serious damage to the gate and the automation.
- Always remember that the following residual risks exist when the gate is in movement:
 - a) impact and crushing against the main closure edge (against the single leaf or between the two leaves);
 - b) impact and crushing in the opening area;
 - c) shearing between the moving and the fixed guides and support during movement;
 - d) mechanical risks caused by movement.

9.1 Testing

- During testing, ensure that the measurement of the gate's impact force has been performed in accordance with EN standards 12445 and 12453.**
- Check that the indications given in the **SAFETY INSTRUCTIONS AND WARNINGS AND INSTRUCTIONS AND INDICATIONS FOR INSTALLATION** chapters have been carefully observed.
 - Ensure that the automation is correctly adjusted and that the protection and release systems are in good working order.
 - Using the key selector or the radio control perform gate opening and closure tests and ensure that each movement of the gate corresponds to the control unit settings. Perform as many checks as necessary to be certain of perfect operation.
 - Ensure the correct operation of the LEDs on the keyboard of the control unit (see specific manual).
 - In particular, for photocell checks, check that there is no interference with other devices. Pass a cylindrical tube with a diameter of 5cm and a length of approximately 30 cm through the optic axis that connects the two p'
 - In all three cases, the device must intervene by passing from the active state to the alarm state and vice versa, thus causing the action set on the control unit: for example, during a closure manoeuvre it must cause inversion of movement.
 - Perform the photocell operation test required in compliance with EN standard 12445 p. 4.1.1.6. The results must satisfy EN standard 12453 p. 5.1.1.6.

ATTENTION: once the automation has been tested, the parameters set must not be altered. If further adjustments (e.g. alterations to the voltage value) are made, all the checks required for testing and compliance with EN standard 12445 must be repeated.

9.2 First usage

The automation may only be used for the first time once all the checks described in the TESTING chapter have been performed successfully. The automation may not be used in precarious or temporary conditions.

- a) Compile a technical file for the automation, which must include at least:
 - a general mechanical and electrical diagram,
 - risk analysis and solutions adopted for eliminating or reducing risks,
 - manuals of the individual components,
 - list of the components used,
 - instructions for use and warnings concerning use by the owner,
 - system maintenance record
 - declaration of the system's CE conformity
- b) Fix a CE marking plate to the gate, bearing at least the following information:
 - Name and address of the party responsible for installation and testing;
 - Type of automation,
 - model,
 - registration number,
 - year of installation,
 - CE mark.
- c) Fill in the declaration of conformity and give it to the owner of the automation.
- d) Compile the guide with the instruction manual (EN 12635 p. 5.3 and 5.4) and give it to the owner of the automation.
- e) Compile the maintenance and improvement log (EN 12635 p. 5.3) and give it to the owner of the automation.
- f) Compile the guide containing the instructions for maintenance that provides instructions concerning the maintenance of all automation devices (EN 12635 p. 5.3 and 5.5) and give it to the owner of the automation.
- g) Before the first use of the automation, the owner must have been given adequate information concerning hazards and residual risks.

10 SAFETY INSTRUCTIONS AND WARNINGS

10.1 Instructions and warnings for use

- It is the fitter's duty to perform risk analysis and inform the user/owner of any existing residual risks. Any residual risk detected must be recorded in writing in the operator manual.
- The following residual risks are usually present in moving gates: impact and crushing against the main closure surface (of the single leaf or between the two leaves); impact and crushing in the opening area; crushing between the mobile and fixed guide and support parts during movement; mechanical risks caused by movement.
- The Manufacturer will not accept responsibility for damage or injury caused by the non-observance of the information on use contained in this manual, and the failure to observe the safety indications given below.
- The Manufacturer declines responsibility for damage and malfunctions caused by non-compliance with the instructions for use.
- Keep this manual in a safe and easily accessible place so that it can be consulted rapidly when necessary.
- Before activating the gate ensure that all persons are at a safe distance.
- Never touch the gate or moving parts when they are in motion.
- Remain at a safe distance when the gate is in motion: only pass when the gate is completely open and immobile.
- Do not allow children to play with gate controls; do not leave radio controls or other control devices within children's reach.
- Prevent children from playing or standing in the vicinity of the gate or the control organs (radio controls). The same precautions should be adopted for disabled persons and animals.
- In the event of malfunctions (noisiness, jerky movements, etc.) suspend the use of the automation immediately: failure to observe this rule may entail serious hazards, risks of accidents and/or serious damage to the gate and the automation. Contact a PROFESSIONAL FITTER and in the meantime use the gate manually by disconnecting the operator (see the OPERATOR/ACTUATOR RELEASE chapter) OPERATOR/ACTUATOR RELEASE chapter) of the operator manual.
- In order to maintain the automation in efficient conditions, ensure that the operations indicated in the MAINTENANCE chapter are performed at the frequency indicated by a PROFESSIONAL FITTER.
- Examine the installation frequently in order to check that there are no signs of mechanical unbalance, wear and damage to the wires and assembled parts: do not use the operator until the necessary repairs or adjustments have been made.
- Should liquids penetrate inside the control unit, disconnect the electricity supply and contact the Manufacturer's Assistance Service immediately; use of the control unit in such conditions may cause hazard situations. The automation may not be used in these conditions, even with buffer batteries (optional).
- If a problem arises that cannot be resolved using the information contained in this manual, contact the Manufacturer's assistance service.

11 GENERAL INFORMATION

It is strictly forbidden to copy or reproduce this instruction manual without written permission to do so and subsequent verification by **LIFE home integration**. Translation into other languages of all or part of the manual is strictly forbidden without previous written authorisation from and subsequent verification by **LIFE home integration**. All rights on this document are reserved. **LIFE home integration** will not accept responsibility for damage or malfunctions caused by incorrect installation or improper use of products and Users are therefore recommended to read this manual carefully. **LIFE home integration** will not accept responsibility for damage or malfunctions caused by the use of the automation together with the devices of other manufacturers; such action will render the warranty void. **LIFE home integration** will not accept responsibility for damage or injury caused by non-compliance with the installation, set up, maintenance and use indications contained in this manual and the safety instructions described in the SAFETY INSTRUCTIONS AND WARNINGS chapter. With the aim of improving its products, LIFE home integration reserves the right to bring about alterations to them at any time, without giving prior notice. This document conforms to the state of the automation at which it is provided when released for sale.

11.1 INFORMATION ON THE MANUFACTURER

LIFE home integration is the manufacturer of the **RG1 24DL** control unit (referred to for short as "control unit") and the owner of all rights concerning this document. The Manufacturer's information as required by Machinery Directive 98/37/EC is given below:

- Manufacturer: **LIFE Home Integration**
- Address: **Via Sandro Pertini, 3/5 – 31014 Colle Umberto (TV) Italia**
- Telephone: **+ 39 0422 388592**
- Fax: **+ 39 0422 388593**
- http: **www.homelife.it**
- e-mail: **info@homelife.it**

The identity plate bearing the information on the Manufacturer is fixed to the control unit. The plate specifies the type and date (month/year) of manufacture of the product.

For further information on technical and/or commercial issues and technician call-out and spares requests, Clients may contact the Manufacturer or area representative from which the product was purchased.

11.2 INTENDED USE

- The **RG1 24DL** control unit has been exclusively designed to command 1 electromechanical operator with 230 Vac power supply destined to motorising 'residential' type leafs. Any usage differing from that described above is forbidden.
- The control unit may only be used with other LIFE products.
- The manufacturer declines all responsibility for damage caused by improper use. All risks are the fitter's responsibility and the warranty shall be rendered void.
- The control unit may not be installed or used in potentially explosive environments.
- Motorised gates must conform to current European standards and Directives, including EN 12604 and EN 12605.
- The control unit may only be used when in perfect working order and in compliance with the intended use, in the awareness of safety and hazard conditions and in compliance with the instructions for installation and use.
- Any dysfunctions that may pose threats to safety must be eliminated immediately.
- The control unit may not be used in environments prone to flooding.
- Do not use the operator in environmental conditions characterised by harsh atmospheric agents (e.g. salty air).

12 SAFETY INSTRUCTIONS AND WARNINGS

12.1 General instructions and warnings

- This manual is designed for use by **PROFESSIONAL FITTERS** only. Installation of the control unit requires practical and theoretical knowledge of mechanics, electrics and electronics as well as current sector legislation and regulations.
- Once the control unit has been installed, it is forbidden for users to perform any operation on the control unit even following the instructions in this manual, which, as mentioned previously, are intended for use by qualified personnel only.
- Fitters must operate in compliance with the following: law 46/90, directive 98/37/EC, 73/23/EEC, 89/336/EEC and subsequent amendments. He/she must also make constant reference to harmonised standards EN 12453 and EN 12445.
- The indications given in this manual must always be observed when installing, connecting, adjusting, testing and setting the control unit. The Manufacturer declines all responsibility for damage or injury caused by non-observance of the instructions contained in this manual.
- The Manufacturer declines all
- Keep this manual in a safe and easily accessible place so that it can be consulted rapidly when necessary.
- During installation, connection, trial run and usage of the control unit, observe all applicable accident prevention and safety regulations.
- In the interests of safety and optimal functioning of the control unit, only use original spares, accessories, devices and fastening apparatus.
- Do not perform alterations on any control unit device or component. This type of operation may cause malfunctions. The manufacturer declines all responsibility for damage caused by products that have been modified.
- Should liquids penetrate inside the control unit, disconnect the electricity supply and contact the Manufacturer's Assistance Service immediately; use of the control unit in such conditions may cause hazard situations.
- In the event of long periods of inactivity, in order to prevent the
- In the case of faults or problems that cannot be resolved using the information contained in this manual, contact the Manufacturer's assistance service.

12.2 Storage instructions and warnings

- The Manufacturer declines all res
- The control unit must be stored in closed, dry places, at room temperatures of between -20 and +70°C and raised off the ground.
- Keep the control unit away from sources of heat and naked flames, which could damage it and cause malfunctions, fires or hazard situations.

13 INSTALLATION

ATTENTION: Important safety instructions. Follow all instructions carefully, incorrect installation may cause serious injury.

Before commencing installation we highly recommend reading the instructions and warnings contained in this manual carefully (see the SAFETY INSTRUCTIONS AND WARNINGS Chap) and observing the instructions it contains.

13.1 Instructions and warnings for installations

- Before commencing installation read the SAFETY INSTRUCTIONS AND WARNINGS chapter carefully
- The PROFESSIONAL FITTER who installs the control unit is responsible for performing risk analysis and regulating the automation's safety devices consequentially.
- The Fitter must check that the temperature range declared on the control unit is suited to the place in which the device is installed.
- Any normally open/off buttons installed for the activation of the operator must be positioned so that they are within view of the gate but distant from moving parts. Unless said commands operate using keys, they must be positioned at a minimum height of 1.5m and not accessible to unauthorised persons.
- During installation, make constant reference to harmonised standards EN 12453 and EN12445.
- Ensure that the individual devices to be installed are compatible with the **RG1 24DL** control unit. Do not proceed if even just one device is unsuitable for the intended use.
- Ensure that the place of installation of the central unit is not prone to flooding, does not contain sources of heat or naked flames, fires or hazard situations in general.
- During installation, protect control unit components in order to prevent liquids (e.g. rain) and/or foreign bodies (earth, gravel, etc) penetrating inside.
- Connect the control unit to a power supply line created in compliance with current regulations and earthed and fitted with a power supply sectioning switch.
- Wrapping materials must be disposed of in compliance with local regulations.
- Wear protective goggles when making holes for clamping.

In the event of work at heights of over 2m from the ground, for example for the installation of the indicator lamp or aerial, fitters must be equipped with ladders, safety harnesses, protective helmet, and all other equipment required by law and the standards governing this kind of work. Refer to Directive 89/655/EEC amended by 2001/45/EC.

14 MAINTENANCE

14.1 Maintenance instructions and warnings

- Once the automation has been tested, the parameters set must not be altered. If further adjustments (e.g. alterations to the voltage value) are made, **ALL THE CHECKS REQUIRED FOR TESTING AND COMPLIANCE WITH STANDARDS MUST BE REPEATED.**
- The Manufacturer declines responsibility for damage or injury caused by non-compliance with the information provided in this manual and the safety instructions provided below.
- The Manufacturer declines all responsibility for damage and malfunctions deriving from non-compliance with the maintenance instructions.
- In order to keep the operator efficient and safe, follow the cleaning, checking and routine maintenance procedures as described in this manual. This is the owner's duty.
- Any checking, maintenance or repair work must be conducted by a **PROFESSIONAL FITTER**
- Always switch off the electricity supply in the event of malfunctions, breakdowns and before any other operations in order to avoid the gate from being activated.
- Always disconnect the operator's power supply before performing any maintenance or cleaning operation.
- The owner is **NOT** authorised to remove the control unit cover as it contains live parts.
- If the power cable is damaged, it must be replaced by the Manufacturer or its technical Assistance service or in any case a person with a similar qualification in order to avoid risks.
- If the power cable is damaged, it must be replaced by the Manufacturer or its technical Assistance service or in any case a person with a similar qualification in order to avoid risks.
- Do not perform technical or programming modifications on the control unit. Operations of this type may cause malfunctions and/or risk of accidents. The manufacturer declines all responsibility for damage caused by products that have been modified.
- In the event of intervention of automatic or fuse switches, before restoring function conditions identify and eliminate the fault. Request the intervention of a **PROFESSIONAL FITTER**.
- The disconnection and replacement of the pair of buffer batteries (optional) may be performed by a **PROFESSIONAL FITTER** only.
- If a fault that cannot be solved following the information contained in the present manual arises, contact the manufacturer's assistance service.
- All maintenance, repair or replacement of parts must be recorded in the maintenance log, which is **SUPPLIED AND INITIALLY FILLED IN BY THE FITTER.**

14.2 Routine maintenance

Every 6 months a **PROFESSIONAL FITTER** should repeat the series of tests described for automation testing (see **INSTALLATION MANUAL – TESTING AND TRIAL RUN Chap.)**, – **TESTING AND TRIAL RUN Chap.**).

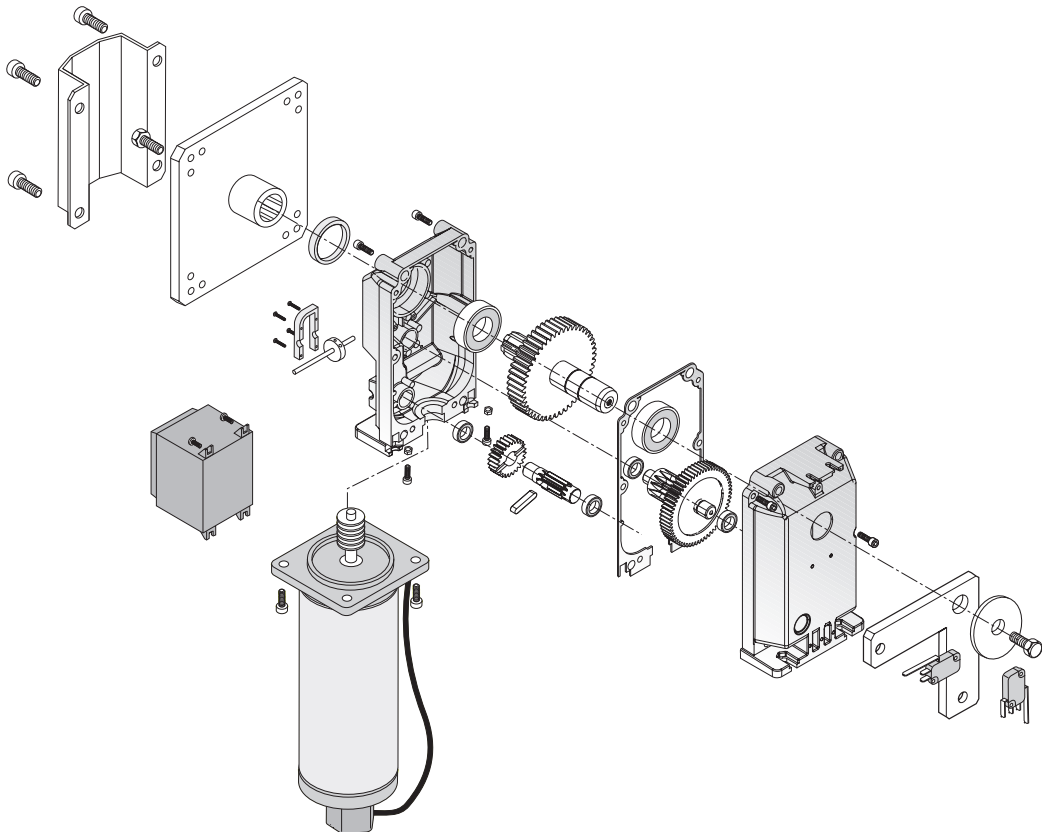
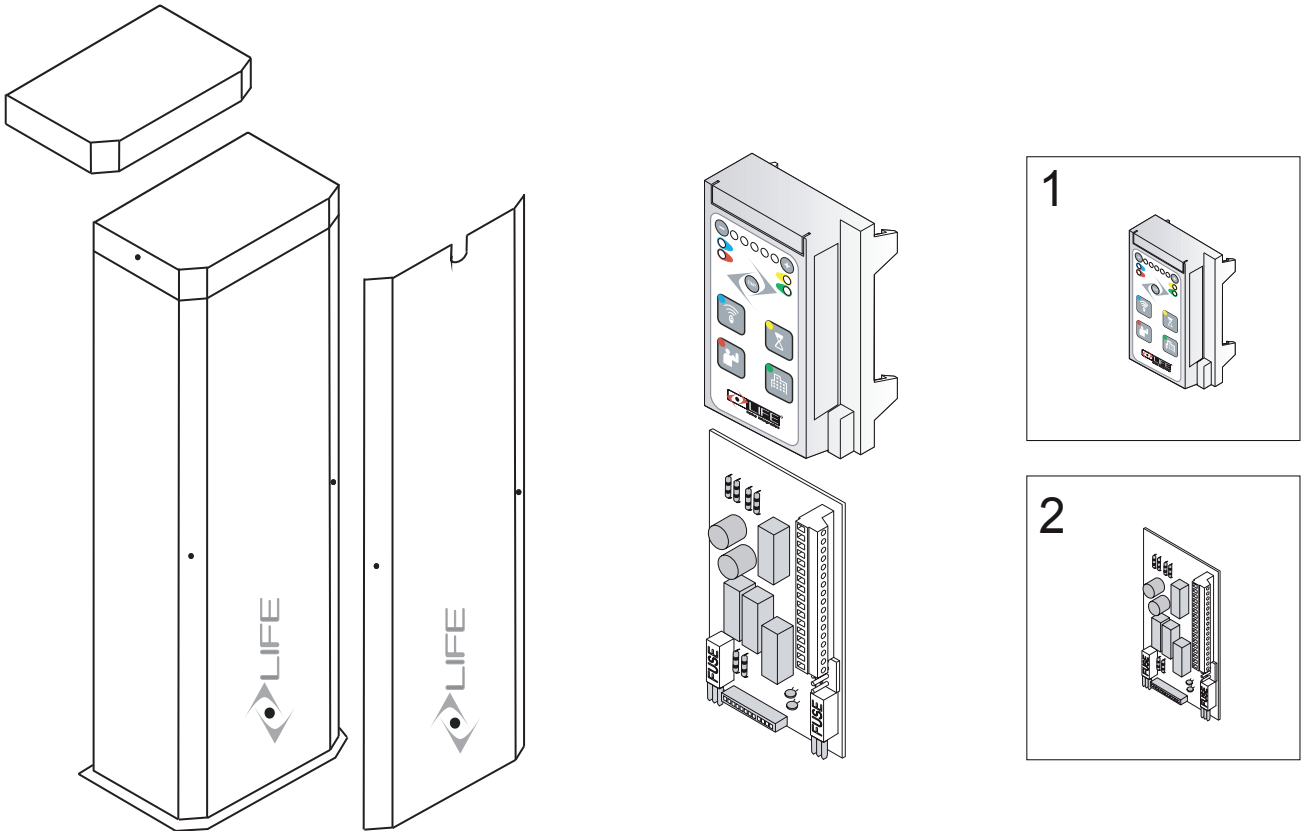
15 DEMOLITION AND DISPOSAL

- The control unit is constructed using various materials, which implies the adoption of different disposal procedures. Refer to regulations in force in the country in which the automation is installed, especially with regard to the buffer batteries (if present).
- If present the batteries must be removed from the control unit prior to disposal. Disconnect the control unit from the electricity supply before removing batteries.
- Contact qualified firms for disposal.

ATTENTION: operator disconnection from the mains supply must be performed by a qualified electrician using suitable tools.



7 - Mechanical drawings



Declaration of conformity



under Directive 98/37/EC, appendix II, part B (Manufacturer's Declaration of CE Conformity)

LIFE Home Integration
Via S.Pertini 3/5
31014 COLLE UMBERTO (TV)

declares that the following product:

SUPRA MB 6Mt 24Vdc + RG1RE 24DL

satisfies the essential requisites established in the following directives:

- Low voltage directive 73/23/EEC and subsequent amendments,
- Electromagnetic compatibility directive 89/336/EEC and subsequent amendments,
- Radio and telecommunications equipment directive 1999/5/EC and subsequent amendments.

and satisfies the following standards:

- EN 12445:2000 Industrial, commercial and garage doors and gates – Safety in the usage of motorised doors – testing methods
- EN 12453: Industrial, commercial and garage doors and gates – Safety in the usage of motorised doors – Requisites
- EN 60204-1:1997 Machinery safety – Electric equipment of the machine – Part 1: general rules.
- EN 60950 Information technology equipment - Safety - Part 1: General requisites
- ETSI EN 301489-3:2001 Electromagnetic compatibility for radio equipment and appliances.
- EN 300220-3:2000 Radio equipment and systems – short band devices – Technical characteristics and testing methods for radio apparatus with a frequency of 25 to 1000 MHz and powers of up to 500mW.

The Manufacturer also declares that it is not permitted for the abovementioned components to be used until such time as the system in which they are incorporated is declared conform to directive 98/37/EC.

COLLE UMBERTO _____



Name of Signor:

MICHELE RUI

Position:

PRESIDENT

Signature:



Address: Via Sandro Pertini,3/5 31014 COLLE UMBERTO (TV) Italia
Telephone: **+ 39 0438 388592** Telefax: **+ 39 0438 388593**
http **www.homelife.it** e-mail: **info@homelife.it**